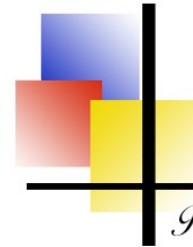




P.O. Box 1139
615 Cass St. Owosso, MI 48867
www.honcoophighbaker.com

Toll Free Phone: 1-888-988-2122
Phone: 1-989-723-3404
Email: Honcoopgold@earthlink.net



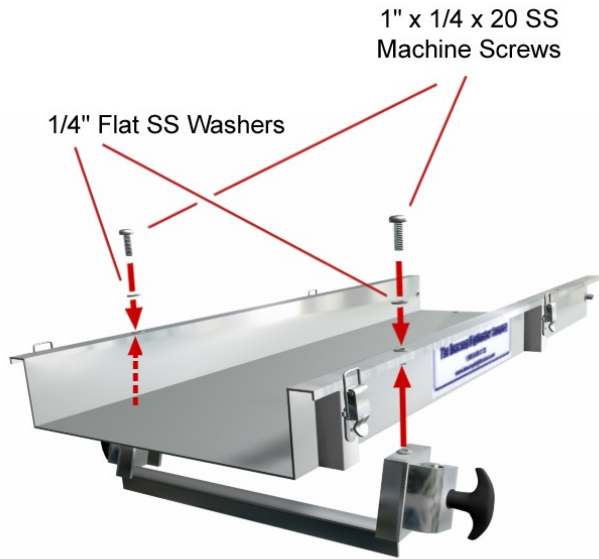
**THE
HONCOOP HIGHBANKER
COMPANY**

Products for the gold mining enthusiast.



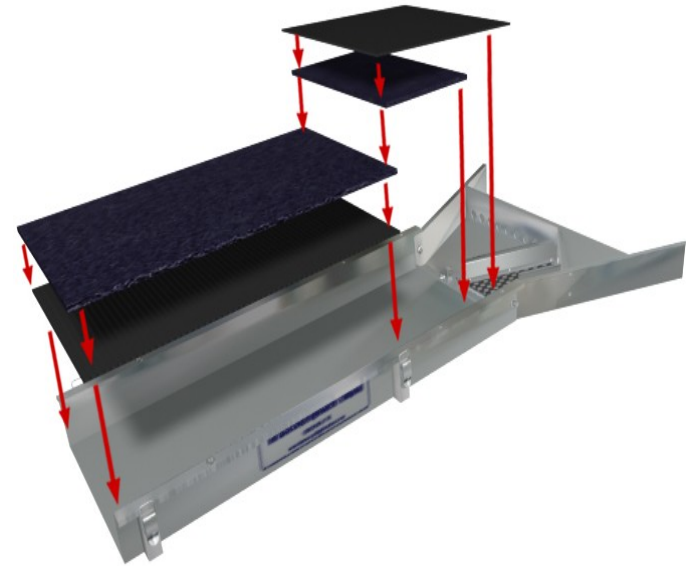
Mini Highbanker/ Dredge/CS10 Stream Sluice Assembly Instructions

**P.O. Box 1139-615 Cass St
Owosso MI, 48867
www.honcoophighbaker.com**



- Front Leg Holder Assembly

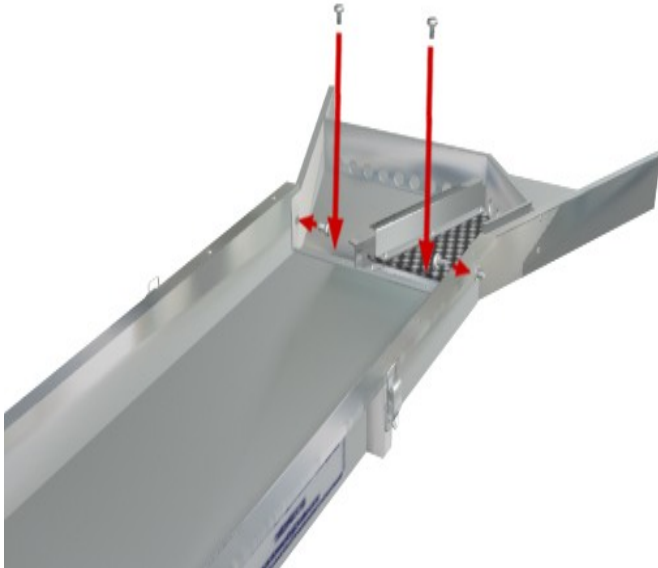
CS10 Stream Sluice Assembly



Lay in the large pieces of black ribbed mat, then the large moss. Next the small moss (as a filler) then the small black ribbed mat. Attach the riffle tray with the 4 clasps.

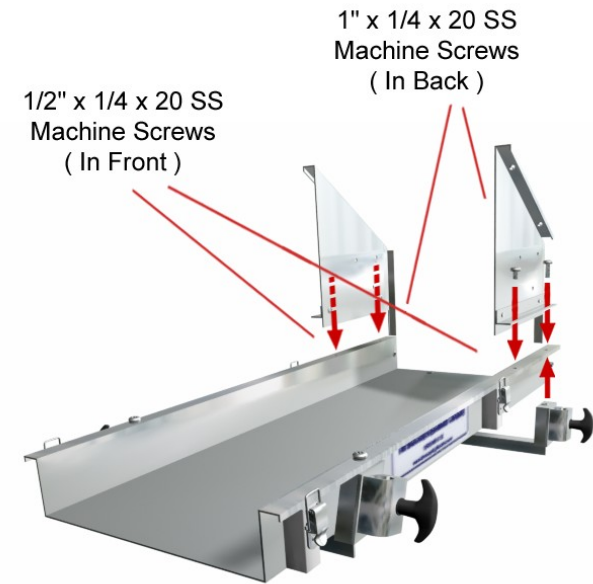
1-888-988-2122

CS10 Stream Sluice Assembly



4 Screws will attach the Stream Sluice
Flume to the Mini- Highbanker tray.

HONCOOP HIGHBANKER

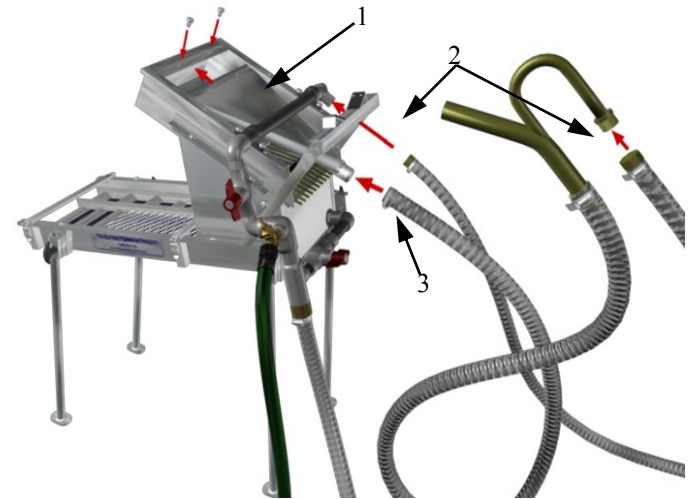


- Rear Leg Holder Assembly
- Side Panel Assembly



- **Leg Assembly**
- Rear legs are 1 1/2" longer than front legs

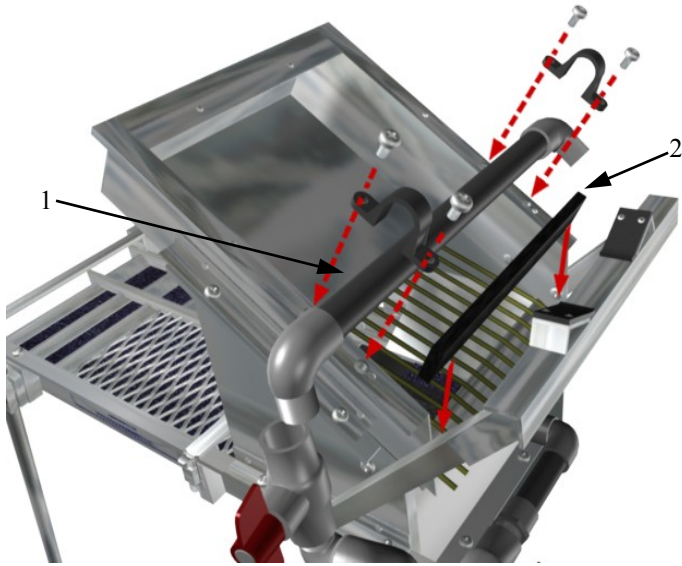
1" Dredge Kit Assembly



- 1) Attach the Flume with the two screws. It will rest under the crossover bar and on the rubber block. The rubber block keeps rocks from bouncing out of the unit but does not have to be used.
- 2) Attach pressure hose
- 3) Attach suction hose.

1-888-988-2122

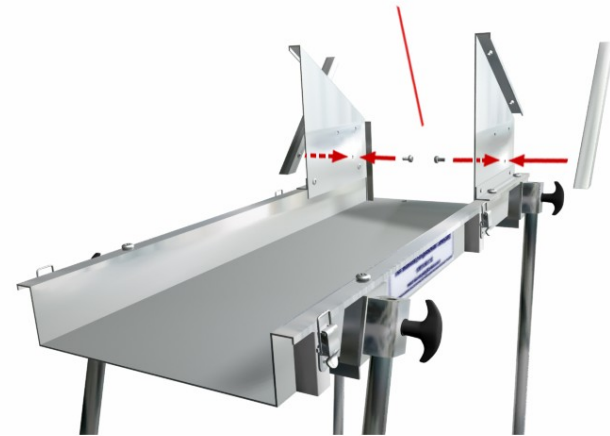
1" Dredge Kit Assembly



- 1) Replace the Spray Bar with the Dredge crossover P.V.C.
- 2) Lay the rubber block across the grizzly resting it against the two screw heads.

HONCOOP Highbanker

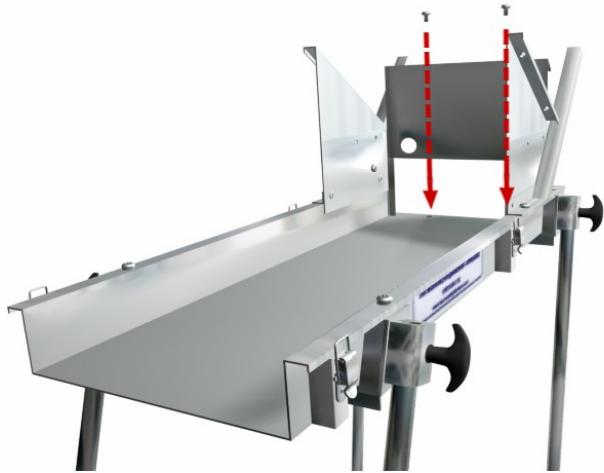
1/2" x 1/4" x 20 SS
Machine Screws



- Bucket Holder Bars
- Top screw holes fit on Headerbox

1-888-988-2122

1/2" x 1/4 x 20 SS
Machine Screws



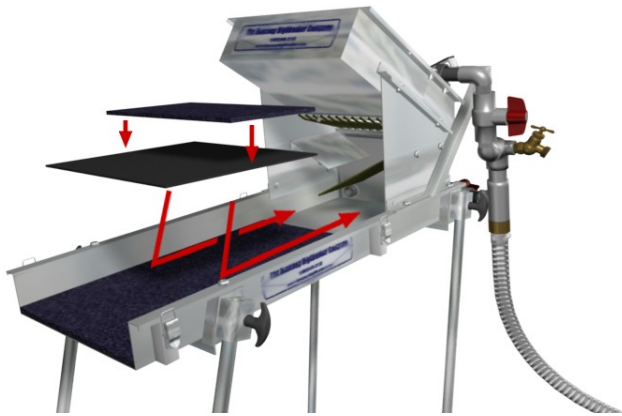
- **Back Panel Assembly**
- The two grooves on Back Panel slide down over the left & right wings of side panels

HONCOOP HIGHBANKER



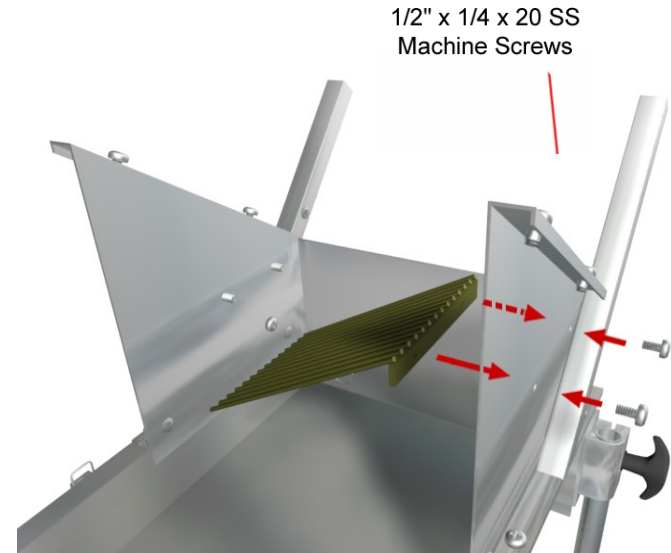
- **Riffle Tray Attachment**
- Push in all the way then close latches

1-888-988-2122



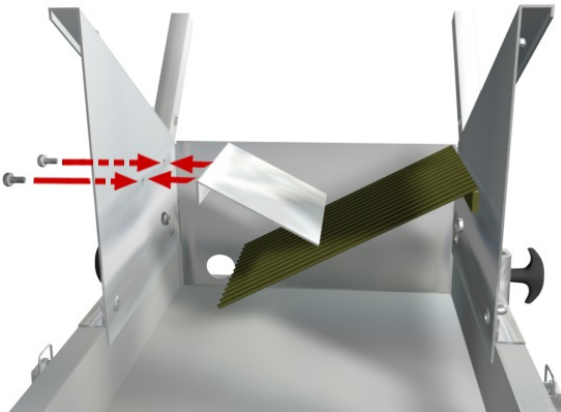
- Black Ribbed Mat & Miners Moss Placement
- 10"x10" Ribbed Mat first then

HONCOOP Highbanker



- Classifying Tine Assembly

1/2" x 1/4 x 20 SS
Machine Screws



- Water Diverter Plate



- Black Ribbed Mat & Miners
Moss Placement
- 10"x18" Ribbed Mat first then
10"x18" Moss

1/2" x 1/4 x 20 SS
Machine Screws



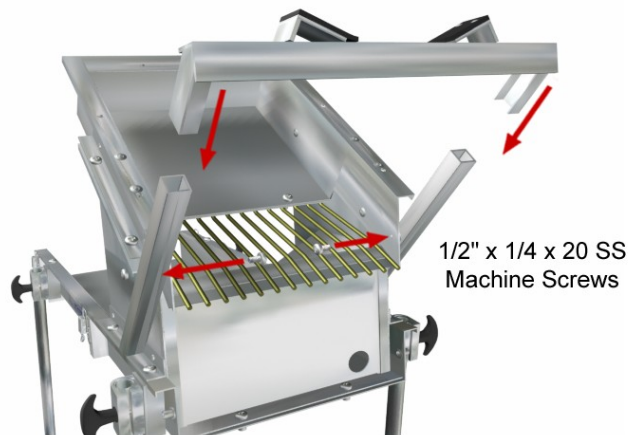
- Spray Bar Attachment

1/2" x 1/4 x 20 SS
Machine Screws



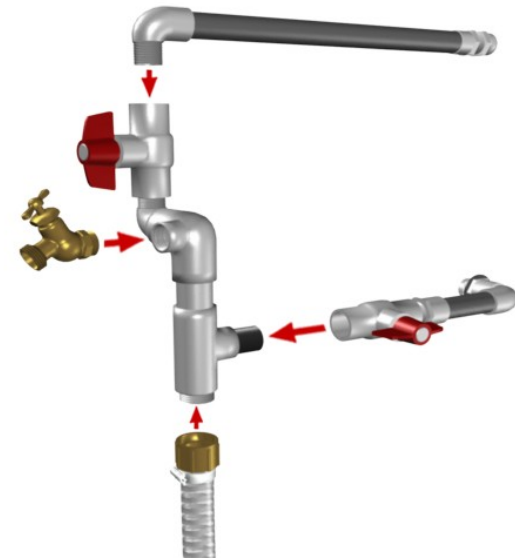
- Header Box Assembly
- Spread side panels apart slightly to fit

1-888-988-2122



- Bucket Holder Bars Top Screw Assembly
- Bucket Holder Assembly

HONCOOP Highbanker



- P.V.C Spray Bar Assembly